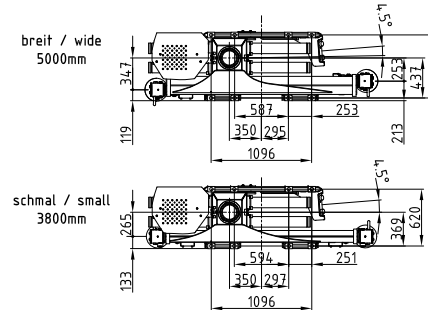
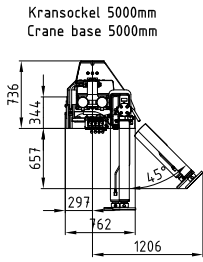
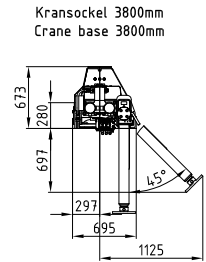
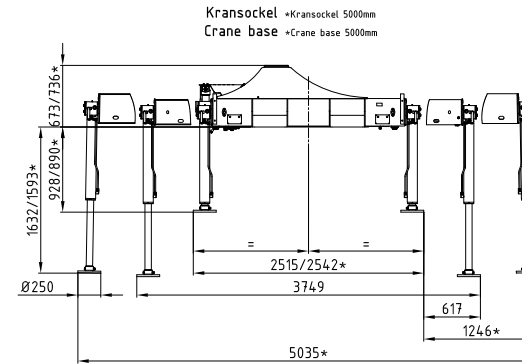
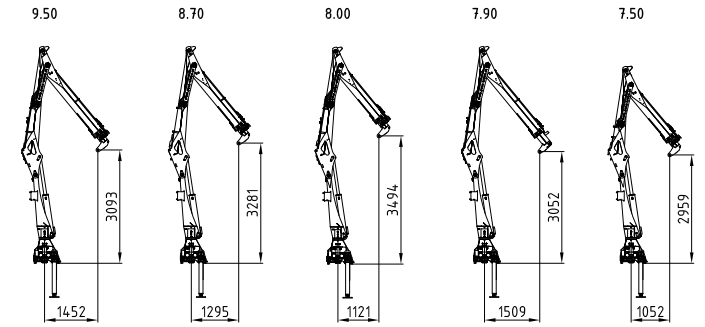
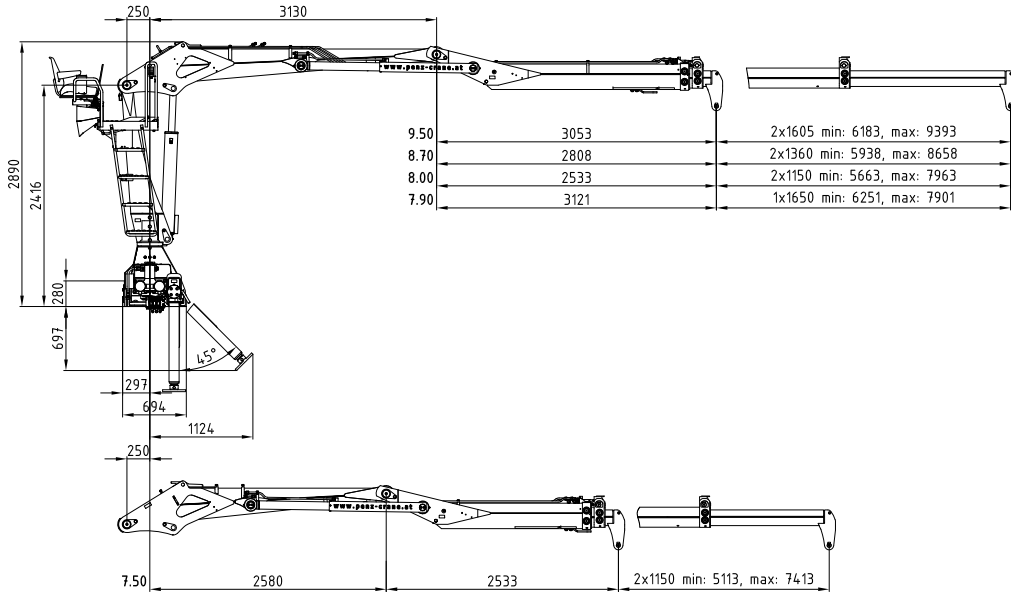


12Z 13Zp+

111 - 130 kNm	7,5 - 9,4 m	3,0 - 3,5 m	3,8 - 5 m	2.180 - 2.360 kg	425°	25 kNm	255 - 285 bar	Minimum 100 l/min ~ 50 kW	Minimum 65 l/min ~ 61 kW	Minimum 150 l/min ~ 71 kW



	4m	5m	6m	7m	8m	9m	
12Z9.50	2670	2140	1850	1540	1370	1180	(kg)
13Zp+9.50	2980	2390	2070	1720	1530	1320	(kg)
12Z8.70	2780	2230	1895	1580	1405		(kg)
13Zp+8.70	3110	2490	2120	1765	1570		(kg)
12Z8.00	2840	2305	1930	1610			(kg)
13Zp+8.00	3170	2575	2160	1800			(kg)
12Z7.90	2925	2340	1950	1625			(kg)
13Zp+7.90	3270	2615	2180	1815			(kg)
12Z7.50	2970	2375	1970	1690			(kg)
13Zp+7.50	3320	2650	2200	1890			(kg)

