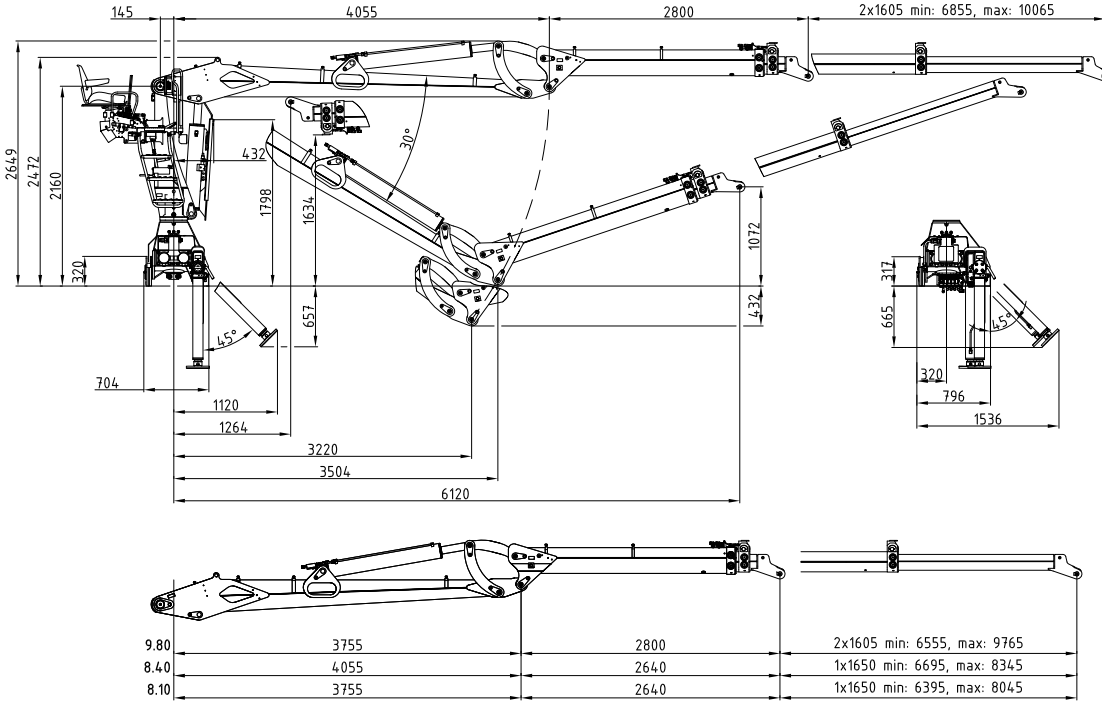
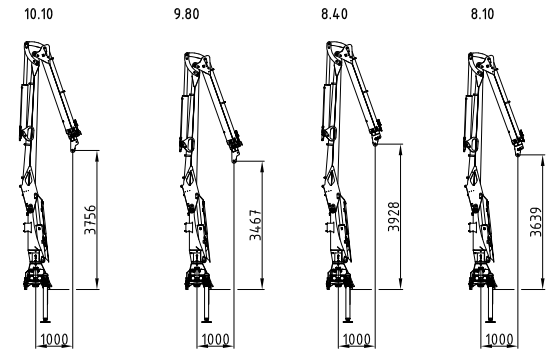
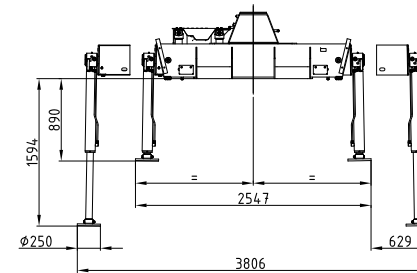


# 15LR 16Lp+R

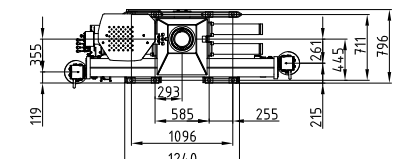
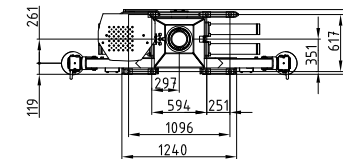
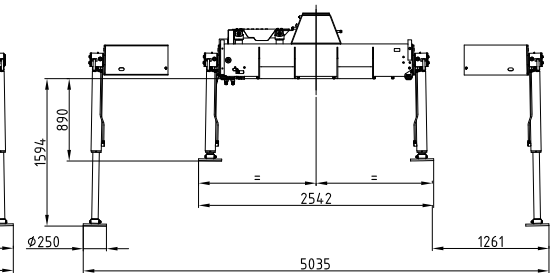
|                  |               |                |              |                     |      |        |                  |                     |                     |                      |
|------------------|---------------|----------------|--------------|---------------------|------|--------|------------------|---------------------|---------------------|----------------------|
|                  |               |                |              |                     |      |        |                  |                     |                     |                      |
| 132 -<br>151 kNm | 8 -<br>10,1 m | 3,5 -<br>3,9 m | 3,8 -<br>5 m | 2.205 -<br>2.490 kg | 415° | 25 kNm | 260 -<br>300 bar | Minimum<br>80 l/min | Minimum<br>65 l/min | Minimum<br>150 l/min |
|                  |               |                |              |                     |      |        |                  | ~ 40 kW             | ~ 66 kW             | ~ 76 kW              |



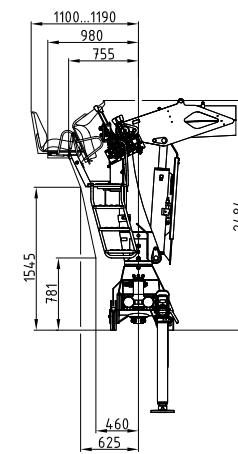
Socket schmal  
Crane base small



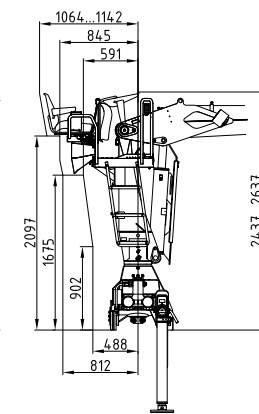
Socket breit  
Crane base wide



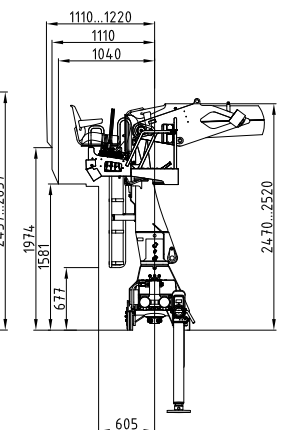
Rücksitz 01  
Back seat 01



Rücksitz 04  
Back seat 04



Seitensitz 04  
Side seat 04



|             |      |      |      |      |      |      |      |
|-------------|------|------|------|------|------|------|------|
|             | 4m   | 5m   | 6m   | 7m   | 8m   | 9m   |      |
| 15L10.10R   | 3250 | 2675 | 2225 | 1900 | 1640 | 1435 | [kg] |
| 16Lp+10.10R | 3600 | 2960 | 2460 | 2100 | 1810 | 1585 | [kg] |
| 15L9.80R    | 3260 | 2685 | 2230 | 1910 | 1650 | 1440 | [kg] |
| 16Lp+9.80R  | 3610 | 2970 | 2465 | 2110 | 1820 | 1590 | [kg] |
| 15L8.40R    | 3330 | 2755 | 2300 | 1965 | 1705 |      | [kg] |
| 16Lp+8.40R  | 3690 | 3050 | 2545 | 2170 | 1885 |      | [kg] |
| 15L8.10R    | 3345 | 2775 | 2315 | 1980 |      |      | [kg] |
| 16Lp+8.10R  | 3710 | 3070 | 2560 | 2190 |      |      | [kg] |

